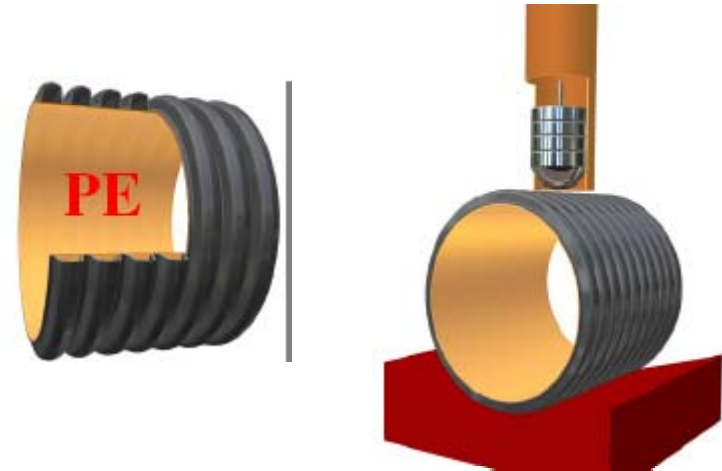
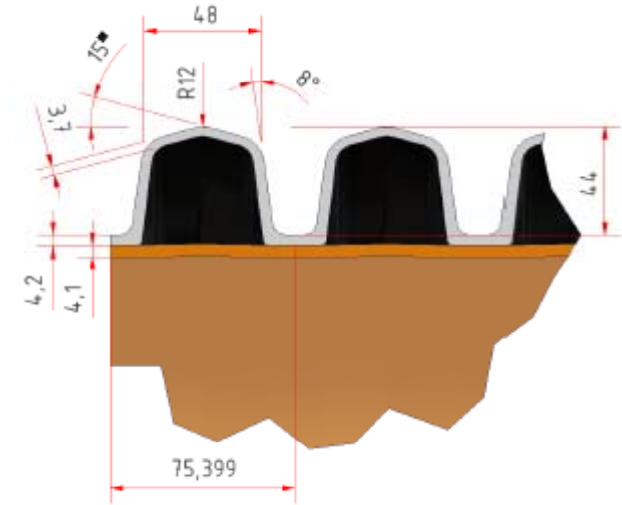
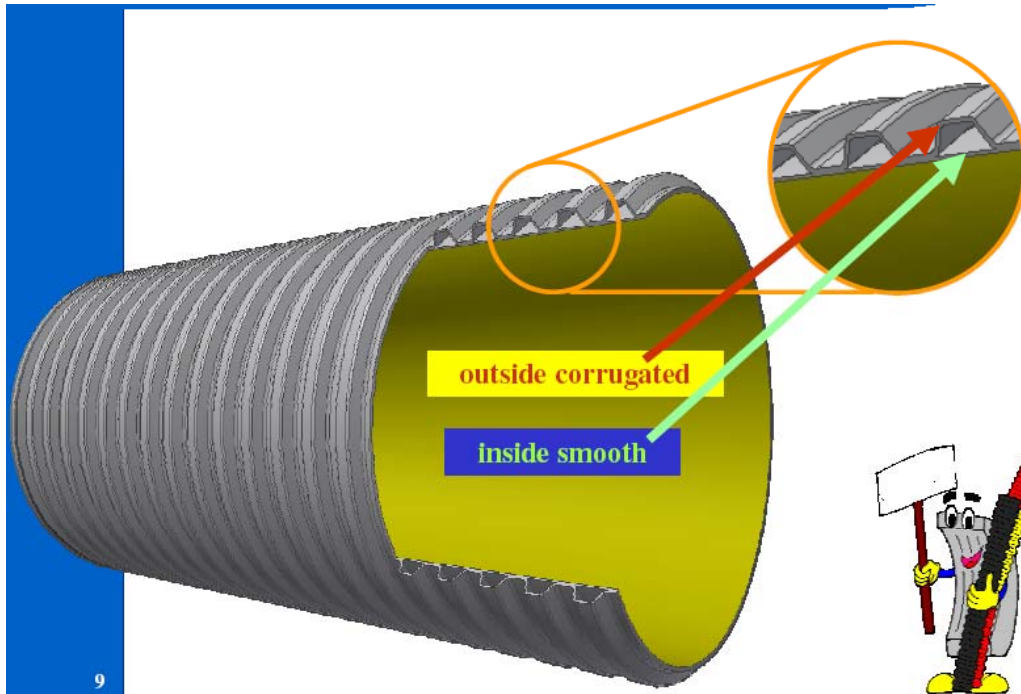
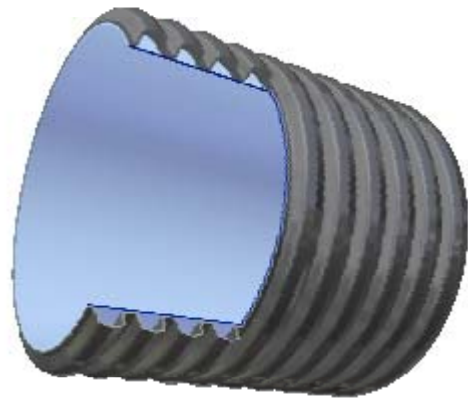
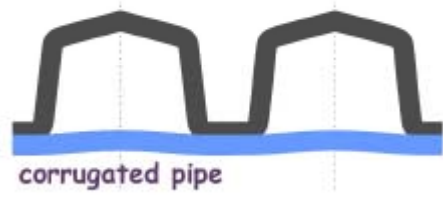


ÇİFT CİDARLI KORİGE BORU



FARKLI PROFİLLER

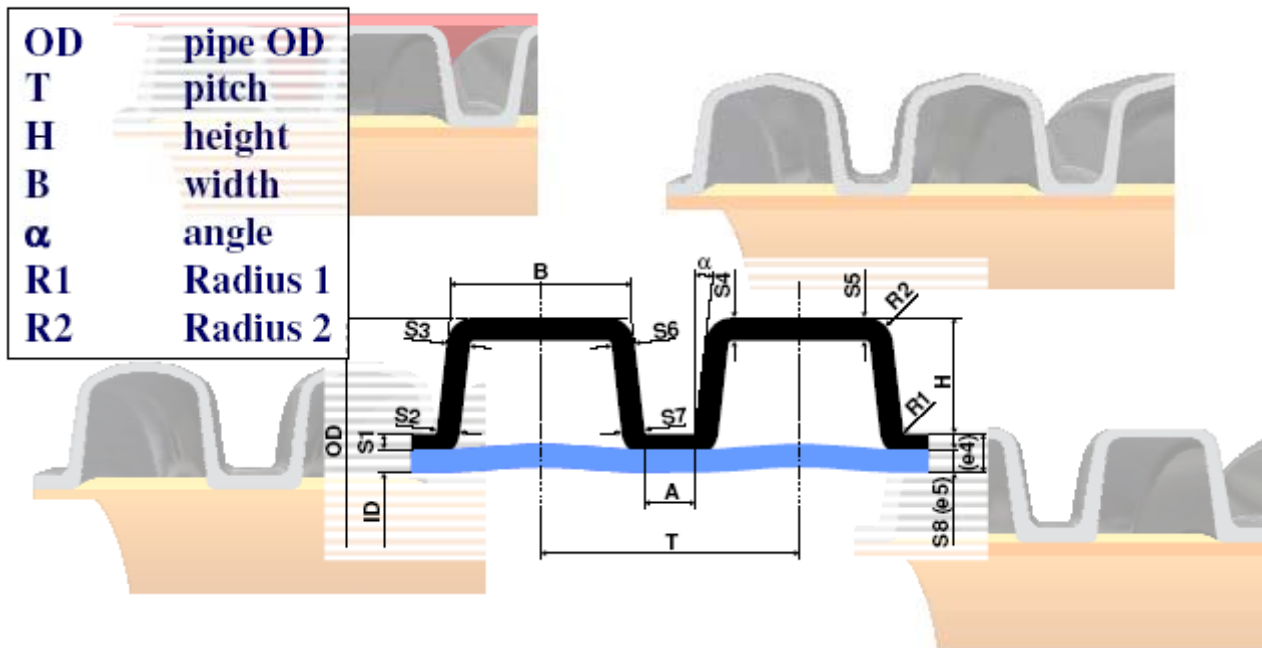


corrugated pipe



FARKLI DİZAYN PARAMETRELERİ

Geometrical parameters:



Wall thicknesses:

S1-S7	outer layer
S8	inner layer

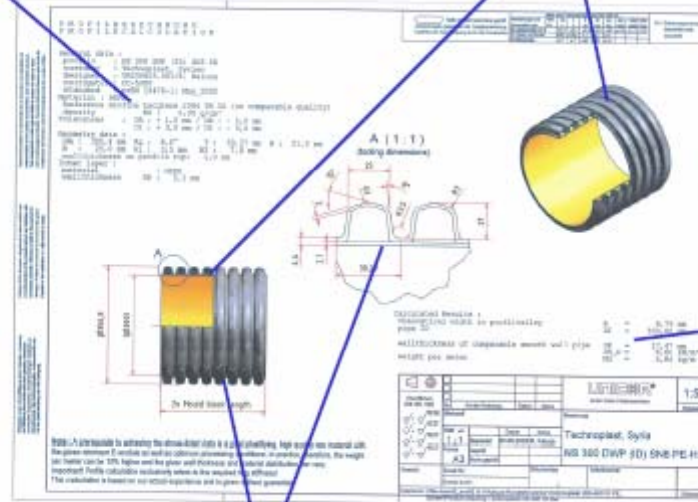
KORİGE BORU TASARIMI

Design and construction tool CAD



General data

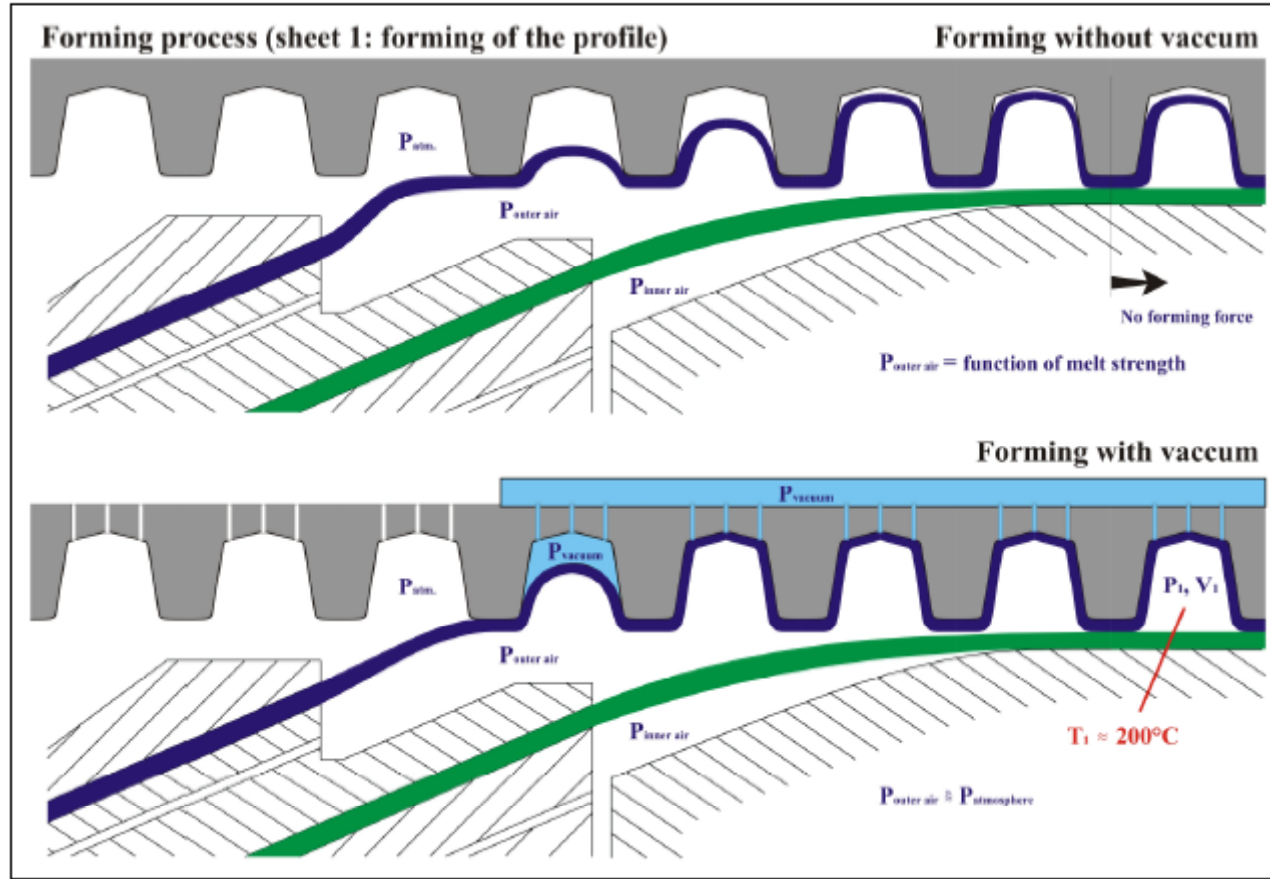
Realistic 3D-view



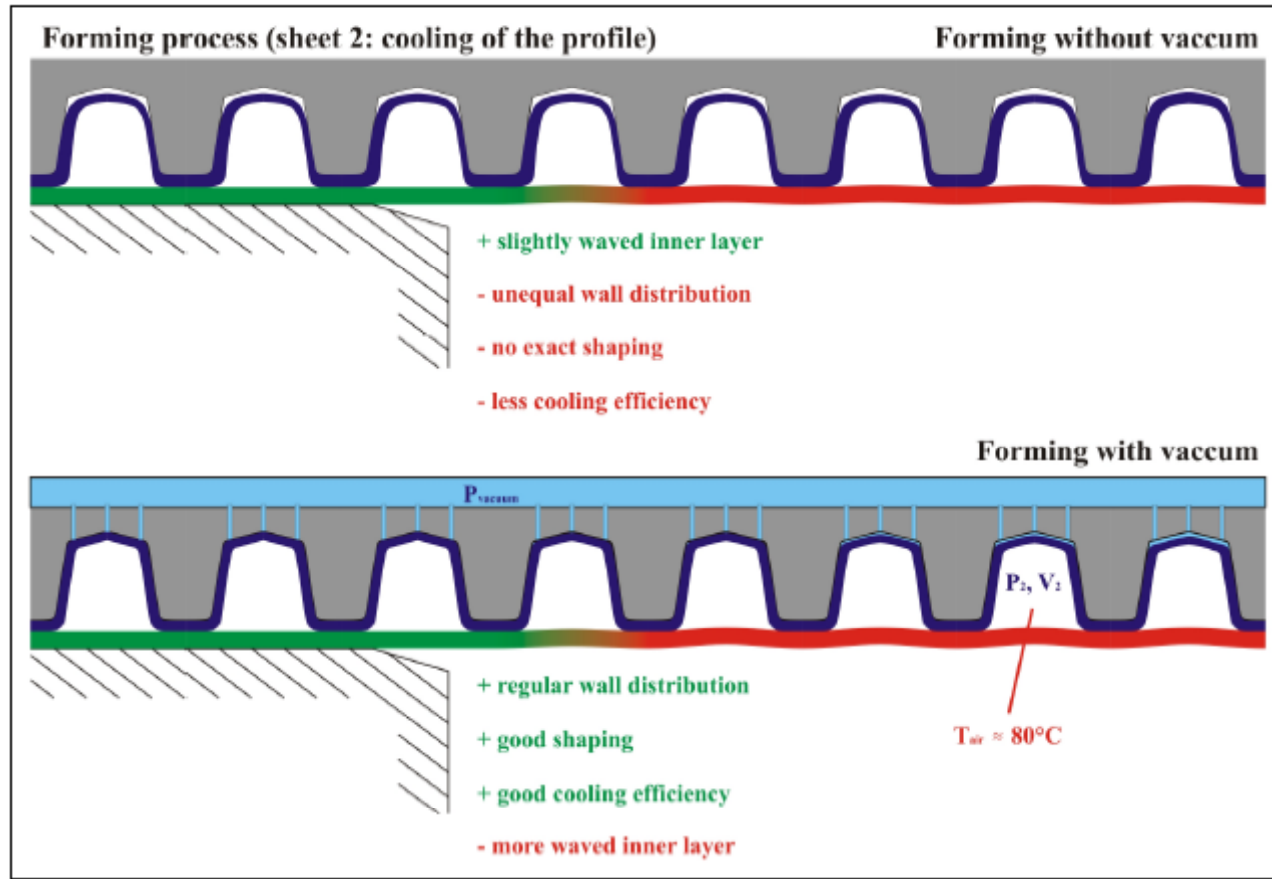
Calculation results

Geometry

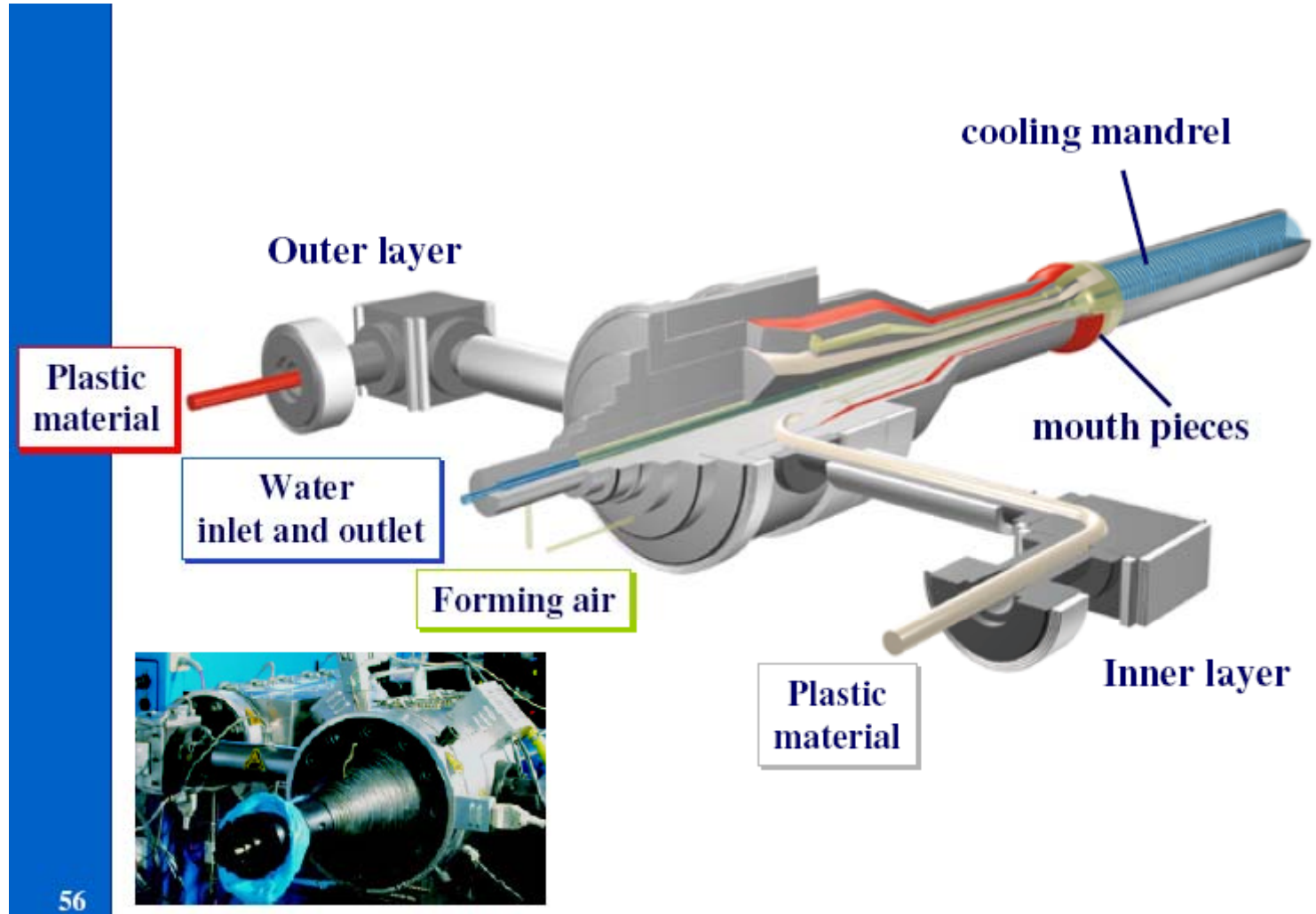
ÇİFT CİDARLI KORİGE BORU ÜRETİM AŞAMASI



ÇİFT CİDARLI KORİGE BORU ÜRETİM AŞAMASI



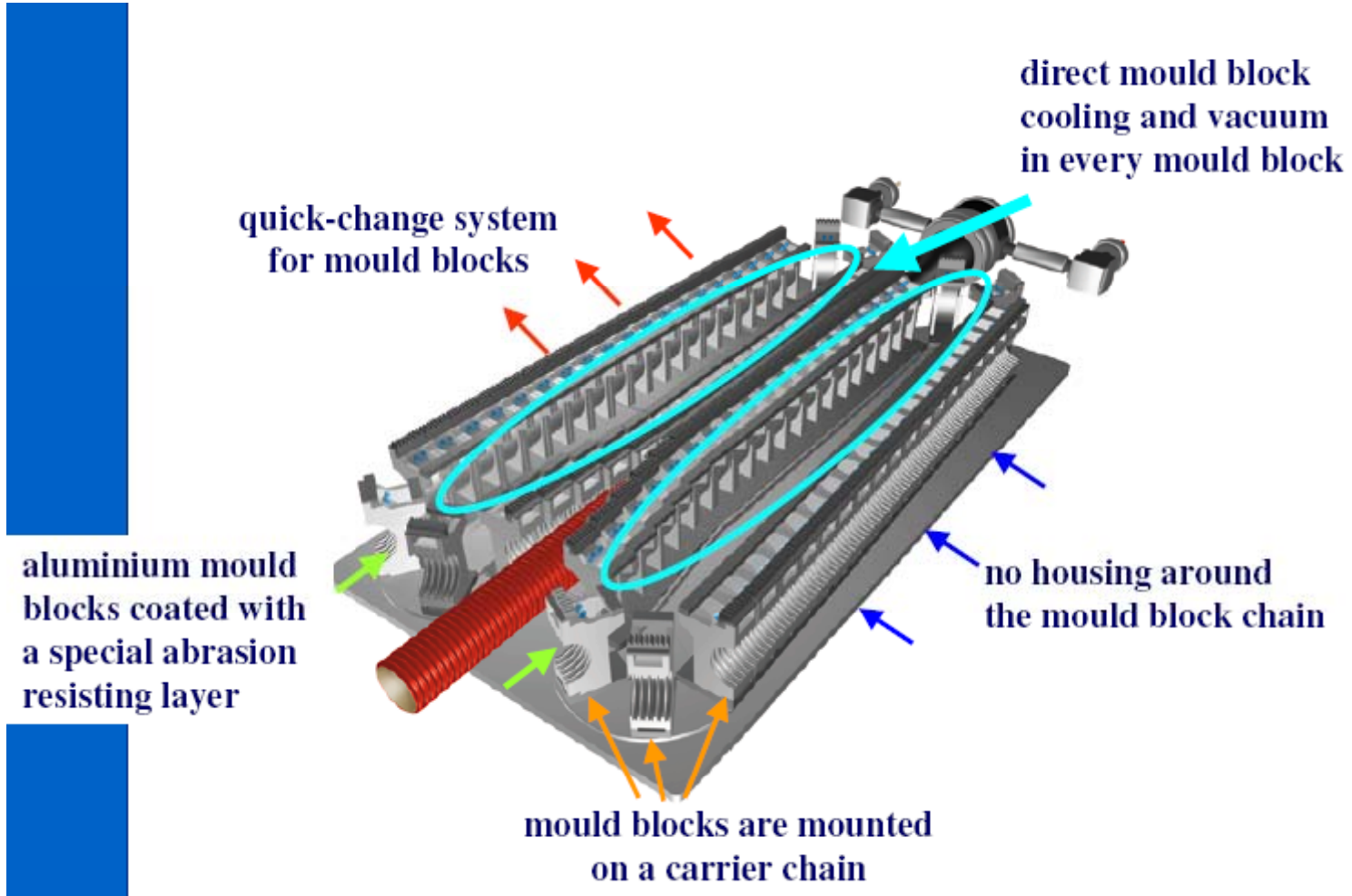
KAFA VE SOGUTMA MANDRELİ



ÇİFT CİDARLI KORİGE BORU MAKİNASI – ORTA BOY

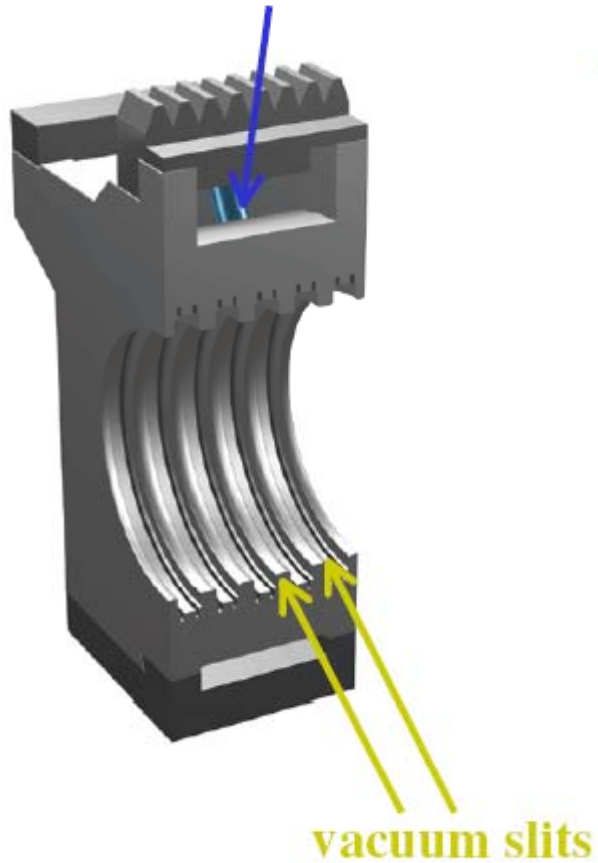


ÇİFT CİDARLI KORİGE BORU KALIPLARI



SU SOGUTMALI ALUMINYUM KALIPLAR

cooling water plug

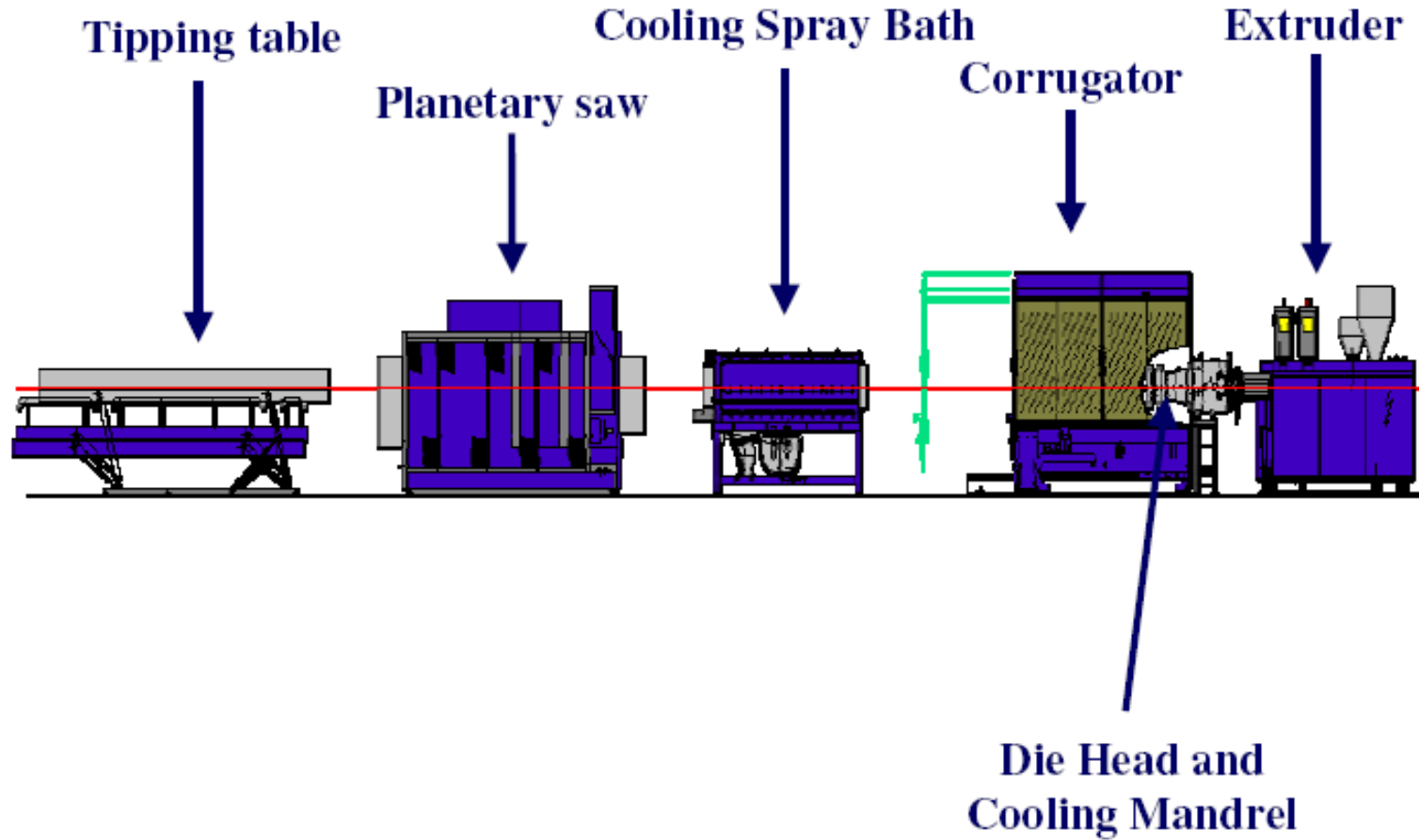


Advantages:

- most effective heat transfer
- permanent cooling
- increased outputs
- reduced chain length
- high quality pipes



ÇİFT CİDARLI KORİGE BORU MAKİNA SETİ





www.ayhanozdemir.net

ayhanozdemir@ayhanozdemir.net

